

Electronic Vacuum/Pressure Switches



Vacuum and Pressure Switches VS-V/P-W-D

Measuring range from -1 bar to 10 bar



Suitable for Industry Specific Applications



Vacuum and pressure switches VS-V/P-W-D

Applications

- Electronic vacuum and pressure switch for system monitoring of vacuum and pressure systems
- Optimization of cycle times and regulation circuits to increase efficiency
- Cubical design also suitable for panel mounting
- For use in all areas of automated handling

Design

- Electronic vacuum and pressure switch in a robust polycarbonate housing
- Connection with G 1/8" female thread
- 3-digit display and foil keypad on the front for adjustment of the settings
- Integrated LED for indication of the switching state
- Supply voltage via 4-pin M8 screw connector
- Compact construction and low weight

Our Highlights...

- Electronic vacuum and pressure switch with digital display
- Switching point and hysteresis programmable with the foil keypad
- Two separately programmable digital outputs
- Special functions programmable

Your Benefits...

- > Precise switching with two separate switch outputs
- > Can be adapted easily to meet customer requirements
- > Upper and lower limit values can be displayed
- > Further adaptation possible



Designation Code Vacuum and Pressure Switches VS-V/P-W-D

Abbreviated designation	Measuring range in bar	Shape	Display	Switching function	Product addition
Example VS-V-W-D-PNP-C:					
VS	V	W	D	PNP	C
VS	V -1 to 0 P10 0 to 10	W cube shape	D digital display	NPN switches to minus PNP switches to plus	C with PIN-code-protection



Ordering Data Vacuum and Pressure Switches VS-V/P-W-D

Vacuum and pressure switch VS-V/P-W-D is delivered as a ready to connect product (without connection cable).

Available accessories: connection cable, flange plate, mounting frame, mounting bracket, connection hose

Schmalz - The Company

Vacuum Knowledge

Vacuum Suction Cups

Special Grippers

Vacuum Gripping Systems

Mounting Elements

Vacuum Generators

Valve Technology

Switches and Monitoring

Filters and Connections

Services

Contact

Index of Products

Electronic Vacuum/Pressure Switches



Vacuum and Pressure Switches VS-V/P-W-D

Measuring range from -1 bar to 10 bar

Vacuum and Pressure Switches VS-V/P-W-D

Type	Part Number
VS-V-W-D-M8-4-PNP	10.06.02.00113
VS-V-W-D-M8-4-NPN	10.06.02.00126
VS-V-W-D-M8-4-PNP-C	10.06.02.00271
VS-V-W-D-PNP	10.06.02.00192
VS-P10-W-D-M8-4-PNP	10.06.02.00114
VS-P10-W-D-M8-4-NPN	10.06.02.00127

Ordering Data Accessories Vacuum and Pressure Switches VS-V/P-W-D

Type	Type	Part Number
Connection cable PUR, 5 m, straight, with mounting nut M8	ASK B-M8-4 5000 PUR GE	10.06.02.00031
Connection cable PUR, 5 m, 90°, with mounting nut M8	ASK B-M8-4 5000 PUR W	10.06.02.00032
Flange plate for dir. mount. and press. conn. G1/8" -IG on the side*	FLAN-PL 30x14x30 VS AL-EL	10.06.02.00116
Mounting frame	EINB-RAx25.6x36 VS	10.06.02.00115
Mounting bracket	BEF-WIN 16x43.5x29 1.5	10.06.02.00154
Connection hose for reference air (for IP65), ordering unit: metres	VSL 4-2.7 PA	10.07.09.00063

!Note: See "Connectors and adapters" in this section for more connection possibilities

*Complete with 2 screws M3x6 and O-ring seal 10x1.5

Technical Data Vacuum and Pressure Switches VS-V/P-W-D

Type	VS-V-W-D	VS-P-W-D
Measured medium	Non-aggressive gases; dry, oil-free air	Non-aggressive gases; dry, oil-free air
Measuring range [bar]	-1.0 ... 0.0	0.0 ... 10.0
Max. overpressure resistance [bar]	5	16
Repeatability	± 1% of full-scale value	± 1% of full-scale value
Hysteresis	Adjustable: 0 to 100% of set value or comparator mode	Adjustable: 0 to 100% of set value or comparator mode
Output signal	2 digital	2 digital
Switching capacity [mA]	180	180
Indication	2xLED	2xLED
Display resolution	0 bar, 5 mmHg, 0.2 inHg, 1 kPa	0 bar, 1 psi, 0.05 kgf/cm ² , 0.01 Mpa
Display units	bar, mmHg, inHg, kPa	bar, psi, kgf/cm ² , Mpa
Measured-value display	3-digit 7-segment LED	3-digit 7-segment LED
Electrical connection	Male connect M8, 4 pole	Male connect M8, 4 pole
Voltage	10.8-30V DC	10.8-30V DC
Current consumption [mA]	55	55
Protection IP	IP 40/65 (with hose)	IP 40/65 (with hose)
Temperature influence	± 3% of full-scale value in the range 0 to 50°C	± 3% of full-scale value in the range 0 to 50°C
Weight [g]	25	25

Electronic Vacuum/Pressure Switches

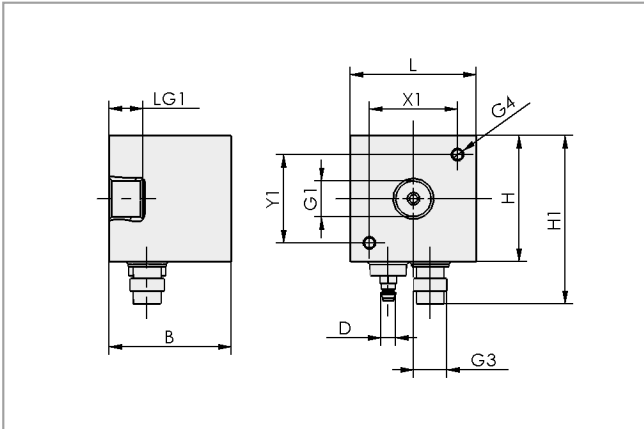


Vacuum and Pressure Switches VS-V/P-W-D

Measuring range from -1 bar to 10 bar



Design Data Vacuum and Pressure Switches VS-V/P-W-D



VS-V/P-W-D

Type	Dimensions in mm										
	B	D	G1	G3	G4	H	H1	L	LG1	X1	Y1
VS-V-W-D	29	3.4	G1/8"-F	M8x1-M	M3-F	30	40	30	8	21	21
VS-P-W-D	29	3.4	G1/8"-F	M8x1-M	M3-F	30	40	30	8	21	21

Schmalz - The Company

Vacuum Knowledge

Vacuum Suction Cups

Special Grippers

Vacuum Gripping Systems

Mounting Elements

Vacuum Generators

Valve Technology

Switches and Monitoring

Filters and Connections

Services

Contact

Index of Products

Electronic Vacuum/Pressure Switches

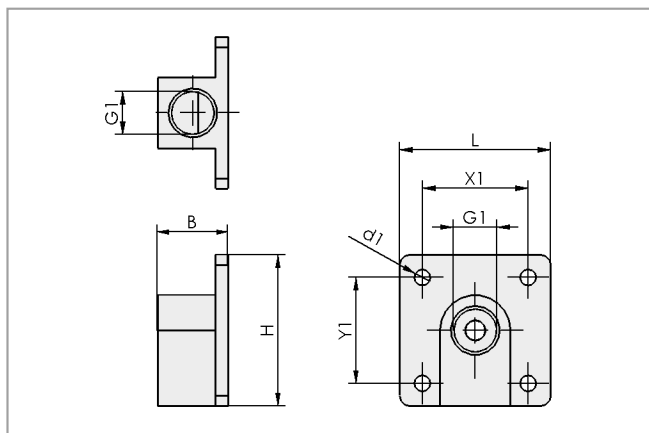


Vacuum and Pressure Switches VS-V/P-W-D

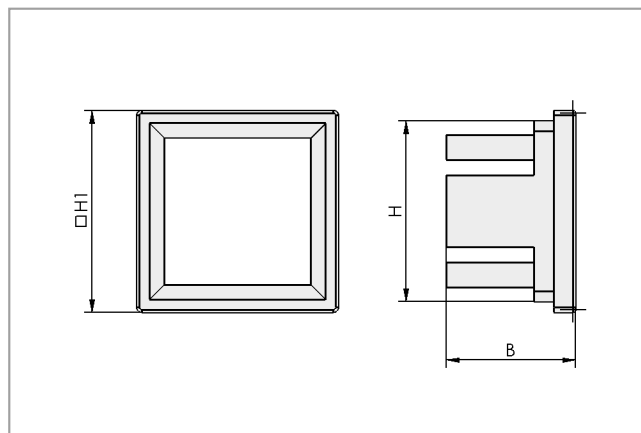
Measuring range from -1 bar to 10 bar



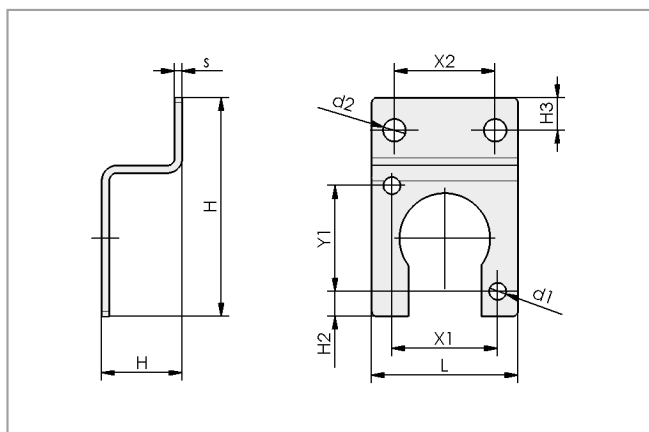
Design Data Accessories Vacuum and Pressure Switches VS-V/P-W-D



FLAN-PL



EINB-RA



BEF-WIN

Type	Dimensions in mm															
	B	d	d1	d2	G1	H	H1	H2	H3	L	L2	s	X1	X2	Y1	
FLAN-PL 30x14x30 VS AL-EL	14.0	-	-	-	G1/8"-F	30	-	-	-	30	-	-	21	-	21	
EINB-RAx25.6x36 VS	25.6	-	-	-	-	36	40	-	-	-	-	-	-	-	-	
BEF-WIN 16x43.5x29 1.5	16.0	18	3.4	4.5	-	44	-	5	6.5	29	-	1.5	21	20	21	

- Schmalz - The Company
- Vacuum Knowledge
- Vacuum Suction Cups
- Special Grippers
- Vacuum Gripping Systems
- Mounting Elements
- Vacuum Generators
- Valve Technology
- Switches and Monitoring
- Filters and Connections
- Services
- Contact
- Index of Products